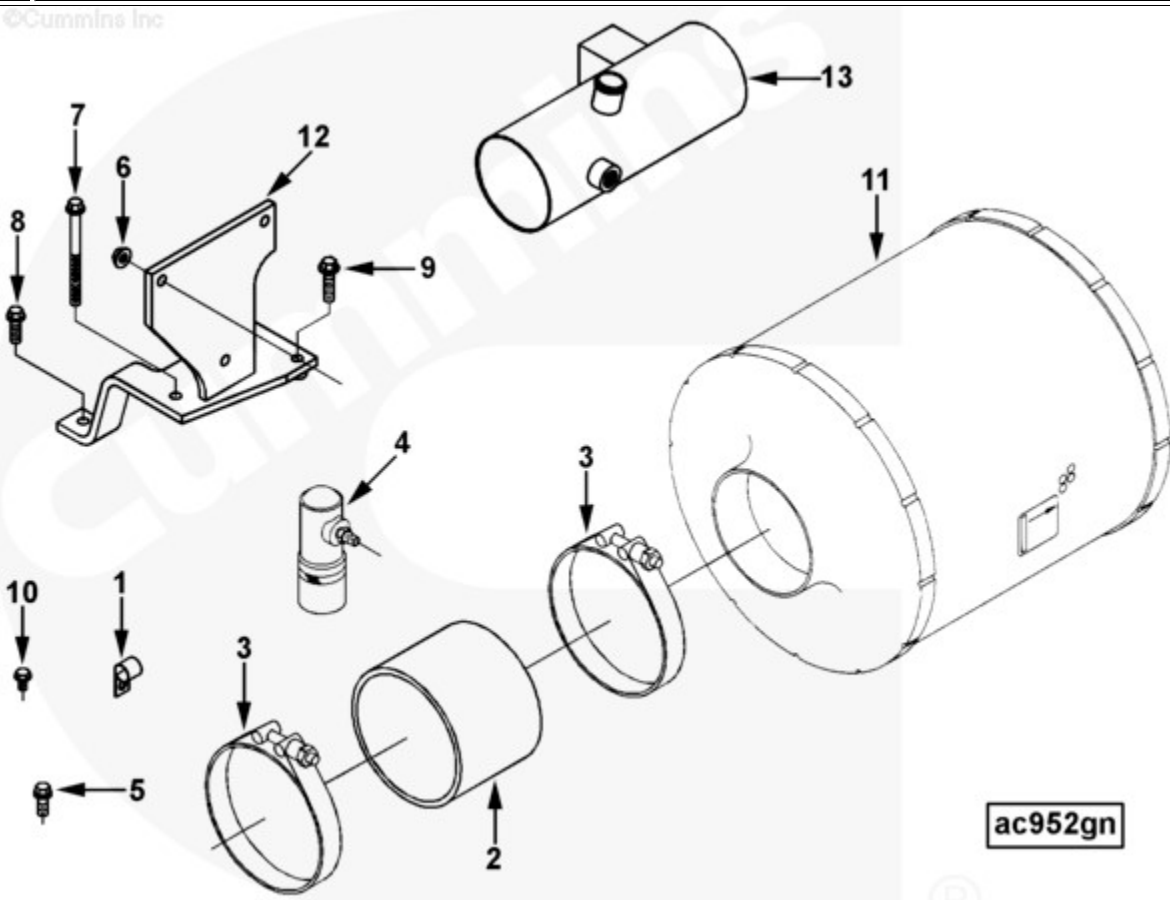




Parts Catalog - Option Detail

Electronic Parts Catalog - Option Detail				
Option	Group	Graphic	Film Card	Date
AC9116-01	10.04	ac952gn	Z	22-AUG-01
Engines	6C8.3, C GAS PLUS CM556, G8.3, G8.3 CM558, GTA8.3 CM558, ISC CM2150, ISC CM554, ISC CM850, ISC8.3 CM2250, ISC8.3 G CM2180 C101, ISL CM2150, ISL CM554, ISL CM850, ISL G CM2180, ISL8.9 CM2150 L110, ISL8.9 CM2880 L112, ISL9 CM2150 SN, ISL9 CM2250, ISL9 CM2350 L101, ISL9 CM2350 L111, ISLE4 CM850, L GAS PLUS CM556, L8.9, L8.9 L121, L8.9G CMOH2.0 L125B, L9 CM2350 L116B, L9 CM2350 L119B, L9 CM2350 L120C, L9 CM2350 L123B, L9.3 L105, L9.5 L117, L9N CM2380 L124B, QSC8.3 CM2250, QSC8.3 CM2880 C102, QSC8.3 CM554, QSC8.3 CM850(CM2850), QSL9 CM2250, QSL9 CM2250 L115, QSL9 CM2350 L102, QSL9 CM2350 L107, QSL9 CM2350 L118, QSL9 CM2350 L122, QSL9 CM554, QSL9 CM850(CM2850), QSL9 G CM558, QSL9 M CM2250 L106, QSL9.3 CM2880 L113			



[SMALL](#) | [MEDIUM](#) | [LARGE](#)

Cart	Ref No	Part Number	Part Description	Required	Remarks
------	--------	-------------	------------------	----------	---------

[View My Cart](#)

We use cookies on this site to enhance your experience.

By clicking any link on this page, you give consent for us to set cookies. For more information, see our [Privacy and Legal page](#).

					System
					Duty Rating: Medium
					Mounting Location: Engine -
					Rear
					Manufacturer: Donaldson
					Filter Quantity: 1
					Environment Capability:
					Outdoor
					Filter disposition:
					Disposable
					Supply Method: Mounted
					Engine Family: C Series
					Additional Support Bracket
					Required: No
					Restriction Indicator: Manual
					Cylinders: 6
					Aspiration: Turbocharged;
					Turbocharged / Aftercooled
					Manual Restriction Indicator
					Fitted to Tube 4020086
<input type="checkbox"/>	1	69465	Clip	1	
<input type="checkbox"/>	2	103486	Plain Hose	1	
<input type="checkbox"/>	3	125740	T-Bolt Clamp	3	4 1/2 in.
<input type="checkbox"/>	4	178957	Restriction Indicator	1	
<input type="checkbox"/>	5	3902460	Hexagon Flange Head Cap Screw	1	M10 X 1.50 X 25.
<input type="checkbox"/>	6	3902662	Hexagon Flange Nut	2	M10 x 1.50

We use cookies on this site to enhance your experience.

By clicking any link on this page, you give consent for us to set cookies. For more information, see our [Privacy and Legal page](#).

<input type="checkbox"/>	9	3903464	Hexagon Flange Head Cap Screw	2	M10 X 1.50 X 40.
<input type="checkbox"/>	10	3903990	Hexagon Flange Head Cap Screw	1	M10 X 1.50 X 20.
<input type="checkbox"/>	11	3924541	Air Cleaner	1	
<input type="checkbox"/>	12	4019852	Breather Bracket	1	
<input type="checkbox"/>	13	4020086	Air Inlet Tube	1	

© 2019 Cummins Inc., Box 3005, Columbus, IN 47202-3005 U.S.A.
[Terms of Use and Disclaimers](#) | [Recommended System Requirements](#)
Need Assistance? Please click on the Contact Us button in the top right corner of any page.

We use cookies on this site to enhance your experience.

By clicking any link on this page, you give consent for us to set cookies. For more information, see our [Privacy and Legal page](#).